

the Breville Boss™

Instruction Book - BBL910XL



Breville®



Contents

- 2 Breville Recommends Safety First
- 6 Components
- 8 Functions
- 10 Tips
- 11 Blending Chart
- 13 Troubleshooting
- 14 Care & Cleaning
- 15 French

IMPORTANT SAFEGUARDS

At Breville we are very safety conscious. We design and manufacture consumer products with the safety of you, our valued customer, foremost in mind. In addition we ask that you exercise a degree of care when using any electrical appliance and adhere to the following precautions.

BREVILLE RECOMMENDS SAFETY FIRST



READ ALL INSTRUCTIONS BEFORE USE AND SAVE FOR FUTURE REFERENCE

- Remove and discard all packaging materials and stickers before first use.
- To avoid choking hazard for young children, remove and safely dispose the protective cover fitted on the power plug.
- This appliance is for household only. Do not use it in moving vehicles or boats, do not use it outdoors, and do not use it for anything other than its intended use. Misuse can cause injury.
- Close supervision is necessary when any appliance is used by or near children.
- This appliance can be used by persons with reduced physical, sensory or mental capabilities or lack of experience and knowledge if they have been given supervision or instruction concerning use of the appliance in a safe way and if they understand the hazards involved.

- Do not use the appliance near the edge of a countertop or table. Ensure the surface is level, clean and free of water and other substances. Please be aware that vibration during use may cause the appliance to move.
- Do not use the appliance on (or close to) a hot gas or electric burner, or where it could touch a heated oven or surface.
- Do not allow the cord to hang over the edge of a countertop, or to become knotted.
- To avoid electric shock, do not immerse the cord, plug or motor base in water (or other liquids).
- This appliance is equipped with a power cord having a grounding wire with a grounding plug. The appliance must be grounded using a 3-hole properly grounded outlet. In the event of an electrical short circuit, grounding reduces the risk of electrical shock.
- If the power outlet is a standard 2-prong wall outlet, it is your personal responsibility and obligation to have it replaced with a properly grounded 3-prong wall outlet. Do not, under any circumstances, cut or remove the third (ground) prong from the power cord or use an adapter.
- In order to avoid the possible hazard of the blender starting by itself due to inadvertent resetting of the overload protector on the motor, do not attach an external switching device (such as a timer) or connect the blender to a circuit that can regularly switch the blender on and off.
- Do not operate appliance with a damaged cord or plug, or after appliance malfunctions, or if dropped or damaged in any way. Stop use immediately and contact Breville by phone or email for replacement or repair.

SAFEGUARDS FOR YOUR BLENDER

- Wash the blender jug with warm soapy water before first use.
- Use only the blender jug and lid that is supplied with this blender. The use of attachments, including canning jars or accessories not manufactured or specified by Breville may cause the risk of fire, electrical shock, or injury.
- Always ensure the blender is assembled properly before using. Lid must be firmly secured to the jug before operation to ensure internal contents do not escape, spray or overflow.
- If the motor is straining under a heavy load, do not operate continuously for more than 10 seconds. Allow the motor to rest for 1 minute between uses on heavy loads. Note that none of the recipes in these instructions are considered a heavy load.
- Do not leave the blender unattended when in use.
- Flashing light indicates ready to operate. Avoid any contact with blades or moving parts.
- Keep hands, fingers, hair and clothing away from the blender during use. Always turn blender off and unplug at the wall before reaching inside.
- Be careful when handling the blender jug as the blades are very sharp. Be careful when emptying the jug and during cleaning. Mishandling of the blades may cause injury.
- Do not remove the jug from the motor base while blender is in use.
- The blender is intended for food or drinks preparation. Do not use for anything other than food or drinks. Do not operate without any ingredients in the blender jug.
- Never attempt to operate with damaged blades, or with utensils, or any foreign objects inside the blender jug.
- To reduce the risk of severe injury to persons or damage to the blender, keep hands and utensils out of the jug while blending. The spatula and food pusher provided can be used, provided the main lid is in place.
- Never blend boiling hot liquids. Allow temperature to drop before putting into the jug for blending.

- Be careful if hot liquid is poured into the blender, as it can be ejected out of the jug due to sudden steaming.
- When blending hot liquids ensure inner measuring cap is in place. Cap will protect from splashing of hot liquids during blending and includes vents designed to relieve pressure and avoid steam build up.
- When blending hot liquids, do not exceed the hot liquids maximum of 40oz. (1.2L).
- Be careful removing the lid after blending hot liquids, as steam traps can form in the liquid and be ejected out of the jug.
- Do not put the blender jug in extremes of heat or cold, for example placing a cold jug into hot water, or vice versa.
- Before moving the blender, cleaning or putting it away for storage, always turn blender off and unplug at the wall.

BREVILLE ASSIST™ PLUG

Your Breville appliance comes with a unique Assist™ Plug, conveniently designed with a finger hole to ease removal from the power outlet.

SHORT CORD INSTRUCTIONS

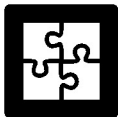
Your Breville appliance is fitted with a short power supply cord to reduce personal injury or property damage resulting from pulling, tripping or becoming entangled with a longer cord. If an extension cord is used, (1) the marked electrical rating of the cord set or extension cord should be at least as great as the electrical rating of the appliance, (2) the cord should be arranged so that it will not drape over the countertop or table-top where it can be pulled on by children or tripped over unintentionally and (3) the extension cord must include a 3-prong grounding plug.

SAVE THESE INSTRUCTIONS

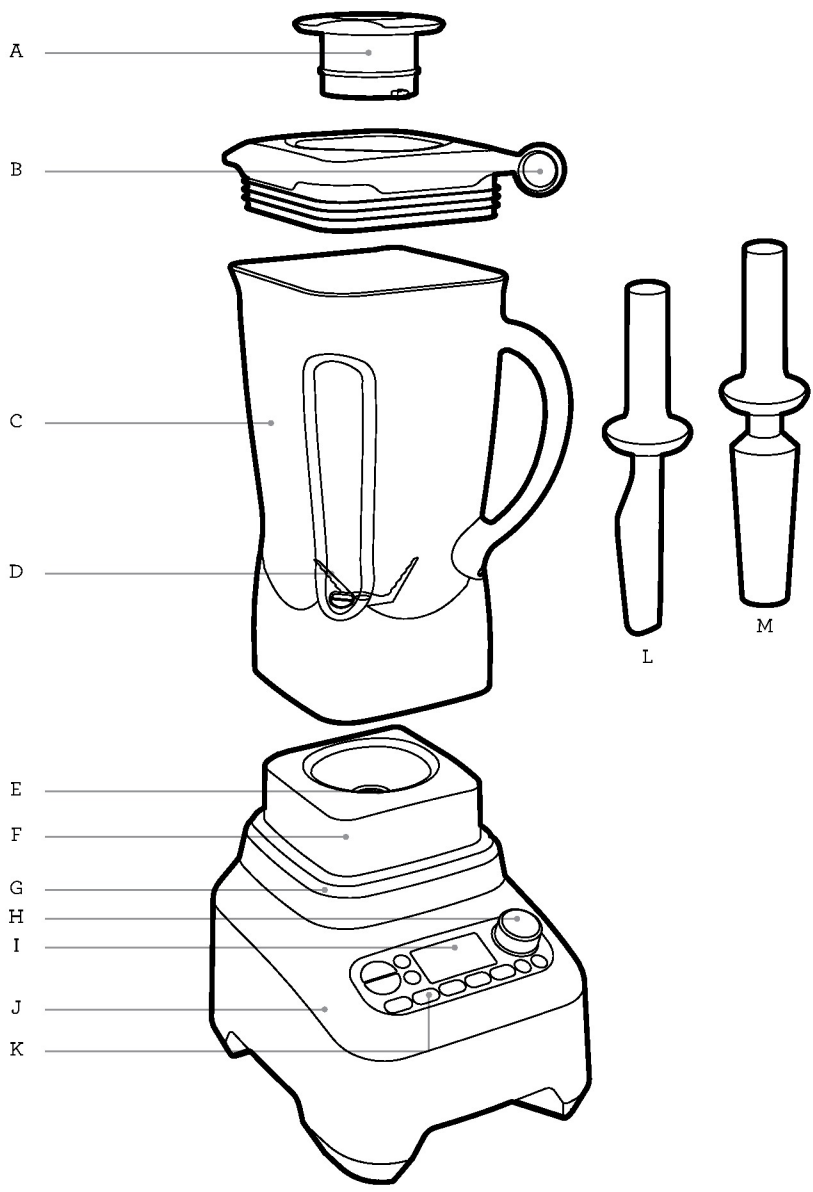
SPECIFICATIONS

Power Consumption	120V ~ 60Hz
Output	1500W
Outside Dimensions	460mm (H) 190mm (W) 240mm (D)
Net Weight	Approx. 6kg

These specifications may change without notice.



Components



- A. **Inner measuring cup**
Remove to add ingredients while blending.
- B. **High performance lid**
Withstands high velocity tasks, and is designed to vent steam and prevent splatter.
- C. **68oz. (2.0L) BPA-free Tritan™ jug**
Impact resistant, shatter proof and dishwasher safe.
- D. **ProKinetix® extra-wide, heavy duty blade and bowl system**
Designed with 3 powerful stainless steel blades contoured to the base of the jug for maximum cutting power and processing results including liquid-free processing. The wide blades create the Kinetix® motion, and eliminate food traps.
- E. **Heavy duty metal coupling**
For durable and long lasting performance under demanding conditions.
- F. **Heavy duty 1500W motor**
High velocity power combined with high torque for outstanding results.
- G. **Overload protection**
Resettable thermal fuse for motor protection.
- H. **Manual speed control**
Wide speed range from super slow stir up to high speed milling for precise control.
- I. **LCD timer and display panel**
Counts down for pre-programmed settings, and counts up for speed dial settings.
- J. **Durable die-cast metal base**
- K. **5 preset programs**
Optimize the blender's capabilities for crushing ice, smoothies, green smoothies, milling and soup.

ACCESSORIES

- L. **Scraper spatula**
Designed to push food down from the walls, or for easily removing ingredients after blending.
- M. **Frozen desert tamper**
Helps make frozen desserts by pushing thick foods directly into the blades.

EASTMAN TRITAN™ COPOLYESTER

This blender jug is made with Eastman Tritan™ Copolyester, which is a tough, BPA - free polymer used to make housewares products that can stand up to extreme use and repeated dishwasher cleaning. Products made from Tritan™ are impact resistant and shatter resistant and stay clear and durable even after hundreds of cycles in the dishwasher.

BREVILLE ASSIST™ PLUG

Your Breville appliance comes with a unique Breville Assist™ Plug, conveniently designed with a finger hole to easy removal from the wall outlet.



Functions



GETTING STARTED

ON | OFF

The ON | OFF button powers the unit into READY mode.

READY mode

The blender will default to MANUAL.

MANUAL FEATURES

Speed control dial

There are 12 speed settings from STIR through to MILL.

STIR mixes more delicate foods with a slow stirring motion and light pausing to fold ingredients together.

MILL is the fastest setting, and is ideal for milling nuts, grains and seeds.

The blender is programmed to allow manual speeds to run for 6 minutes before automatically stopping.

PAUSE | PLAY

Pauses and holds the speed and timer for up to 2 minutes. Press PAUSE | PLAY again to resume.

It is also activated if the jug is removed from base during use. Replace jug, and press PAUSE | PLAY again to resume.

Repeat function

If the START | CANCEL button is pressed when using the manual speed dial, or if the timer finishes, the current speed setting will be held for 2 minutes to allow a quick repeat of the cycle.

Pressing the START | CANCEL button will re-start this cycle.

If you want to clear the previous speed from the memory, press and hold the START | CANCEL button for 2 seconds.

Sleep

After 2 minutes of inactivity, LCD powers off, and the ON | OFF button flashes red. After 5 minutes of inactivity, the blender turns OFF completely. Press the ON | OFF button to reactivate.

Count-up timer

If the timer isn't set, the blender timer counts up in seconds as it blends. When using the timer this way, the blender will stop after 6 minutes, or you can cancel blending manually.

Count-down timer

The alternative to running the blender in count-up mode is to set the blending time before starting.

PRESET PROGRAMS

If the blender is running and you press a different preset button, it will switch to that program without stopping.

PULSE | ICE CRUSH

Optimized to crush ice, and has an intelligent sensor to stop the motor when ice is done. This cycle is also ideal for processing other foods that need sudden bursts of power.

SMOOTHIE

Optimized to combine and aerate frozen and liquid ingredients together. The SMOOTHIE function has a unique processing technique that blends the denser ingredients at lower speed, then increases in speed as ingredients thicken. This will happen several times while blending smoothies. The programming also circulates the ingredients for maximum aeration and a creamy texture.

GREEN SMOOTHIE

Optimized to break down whole hard ingredients like fruits, leafy greens and seeds, and allows them to blend together with other soft and liquid ingredients.

FROZEN DESSERT

Optimized to break down and combine frozen ingredients quickly. Use the frozen dessert wand for best results.

SOUP

This preset program runs for 6 minutes to blend and heat ingredients to make soups. The program has a slow start to combine ingredients before running at high speed, and ends with a couple of stirs to release any steam bubbles that may have formed in the soup.

Do not exceed 40oz. (1.2L) when blending hot liquids.



WARNING

Never blend boiling hot liquids. Allow temperature to drop before putting into the jug for blending.

AUTO CLEAN

Use to remove most of the ingredients off the blender walls and blades. Add 2 cups (around 500ml) warm soapy water, and press the AUTO CLEAN button. For harder to clean, sticky or thick ingredients, add ½ teaspoon of dish liquid detergent for extra cleaning power. For best results, run the auto clean cycle immediately after use.



WARNING

Lifting the jug during use damages the coupling. Do not lift jug until motor has stopped.



Tips

- If the volume (while blending) is below the maximum line, the inner measuring cap can be removed and oils/liquids can be added while blender is in use.
- Run the blender only for the appropriate amount of time required – do not over blend ingredients.
- Use the PULSE | ICE CRUSH button when food is too thick or coarse to circulate within the blender jug.
- The scraper spatula and frozen desert wand can be used during blending by removing the inner measuring cap. Always make sure the main lid stays firmly in place.
- Do not exceed the maximum mark when adding foods and liquids into the blender.
- Ingredients may stick to the sides of the blender jug. To push food back onto the blades with the main lid on (inner cap removed), use the spatula provided to scrape down the sides of the jug, and continue blending.
- If any moisture or liquid appears on top of the motor base during blending, turn the blender off and unplug from the outlet. Remove the blender jug, and wipe motor base immediately with a dry cloth or paper towel.
- To stop blending at any time or during one of the programs, press the START | CANCEL button.
- A speed or function can be selected at any time, even while the blender is running. Press the new speed or program, and the blender will change operation immediately.
- The maximum amount of ice cubes that the blender can process is 250g (approx. 1 standard ice tray).
- Thicker mixtures puree more efficiently if the jug is $\frac{1}{4}$ to $\frac{1}{2}$ full.
- When the blender has been running for 6 minutes in manual mode, it will automatically turn off. This is a safety feature to protect the motor.
- Do not use metal utensils, as they may damage the blades or blender jug.
- To avoid damaging the coupling, do not lift jug until motor has stopped.



Blending Chart

FOOD	PREPARATION & USAGE	QUANTITY	FUNCTIONS	TIME
Grains & seeds	Mill into flour. Use in bread, pizza doughs, cakes, muffins and flour batters.	250-500g 1¼-2½ cups	MILL speed	30-60 secs
Dried beans, grains & corn e.g. wheat, garbanzo beans, corn kernels	Mill into flour. Use for breads, cakes, muffins, pancakes.	250-500g 1¼-2½ cups	MILL speed	1 min 30 sec
Spices	To make ground spices. Use whole spices except for cinnamon quills that need to be broken half. Store in airtight containers.	55-115g ½-1 cup 8-16 cinnamon sticks	MILL speed	1 min 30 sec
Raw nuts	To make nut meal. Use in cakes, cookies and muffins.	150-300g 1-2 cups	MILL speed	20-30 secs
Toasted nuts	To make nut butters and spreads.	300-450g 2-3 cups	MILL speed with scraper	1 minute
Granulated sugar	Mill to make pure icing sugar or powdered sugar.	200g 1 cup or 7oz	MILL speed	15 seconds
Raw vegetables	Peel and cut into ¾ inch (2cm) cubes. Finely chopped. Use for stuffing, filling, bolognaise, stews and casseroles.	225g 8oz	CHOP speed	5-10 secs
Graham crackers /cookies	Break cookies in half. Blend to form crumbs. Use for cheesecake crusts.	225g 8oz	PULSE ICE CRUSH	6-10 pulses

DRY MILLING

Please note that milling hard ingredients like spices, nuts, sugar, coffee, grains, etc will cause scratching and clouding to the inside surfaces of the jug.

This is a cosmetic result from milling these kinds of ingredients, and does not affect the performance of the jug.

FOOD	PREPARATION & USAGE	QUANTITY	FUNCTIONS	TIME
Bread crumbs	Remove crusts. Cut bread into 1 inch (2½ cm) cubes. Use in crumb coatings, stuffings or in meatballs and meat patties.	120g (up to 3 slices)	CHOP speed	20 - 30 seconds
Mayonnaise	Mix the egg yolk, mustard and vinegar or lemon juice. Add oil slowly through the lid. Use for dressing.	Up to 4 egg yolks and 2 cups of oil.	MIX speed	1 min 30 sec
Hard cheeses (like Parmesan and Pecorino)	Cut into 1½ inch (3cm) cubes. Use in creamy sauces, pasta dishes.	130g 4½ ounces	CHOP speed	15-20 seconds
Cream	Whip cream to firm peaks. Add sugar or vanilla before blending, if desired.	300 - 600ml 1¼ - 2½ cups	MILL speed	10 seconds

This blending chart should be used as a guide only.



Troubleshooting

Motor doesn't start or blade doesn't rotate

- Check the blender jug and lid are securely in place.
- Check the ON | OFF button and selected function button is illuminated.
- Check that the power plug is properly inserted into the power outlet.

Food is unevenly chopped

- This can happen when too much food is being blended at one time. Try a smaller amount, and work in batches if necessary.
- The ingredients may be too large. Try cutting into smaller pieces. For best results, ingredients should be in pieces no larger than ¾inch (2cm).

Food is chopped too fine or is watery

- Try blending for shorter period of time. Use the PULSE | ICE CRUSH function for better control.

Food sticks to blade and jug

- The mixture may be too thick. Try adding more liquid and/or using a slower speed for blending.

Blender overloaded

- This blender has a motor protection feature to protect against over heating and/or over current use. When activated OVERLOAD PROTECTION will flash on the LCD and the blender will be inoperable.
 - If activated, turn the blender off by pressing the ON | OFF button on the control panel, and unplug the blender. Wait a few minutes then re-plug and power ON the blender.
 - If OVERLOAD PROTECTION is still flashing, repeat and leave the blender for at least 20-30 minutes. Once OVERLOAD PROTECTION has disappeared from the screen the blender is ready to be used again.
 - We recommend blending in smaller batches, or cutting ingredients into smaller pieces.
-



Care & Cleaning

Cleaning the jug and lid

In order to keep your jug clean and avoid food drying on the blades, jug and lid, follow the below steps as soon as possible after use:

- Rinse most of the ingredients off the jug and lid.
- Add 2 cups (around 500ml) of warm water and press the AUTO CLEAN button. If thick or sticky ingredients require extra cleaning power add a few drops of dish liquid detergent.
- Rinse the jug and lid again and/or wash separately in warm soapy water with a soft cloth or bottle brush.

Sanitizing

The recommended sanitizing solution is 1.5 tsp (7.5ml) of household bleach in 2qt (8 cups / 2L) of clean, cool water, mixed according to the recommended instructions on the bleach container. To sanitize, follow the below steps:

1. After performing the auto clean cycle as per the instructions above, add half (4 cups / 1L) of the recommended sanitizing solution to the jug. Secure the lid and inner lid and press AUTO CLEAN to run a sanitizing clean cycle.
2. Allow to stand for 1 minute, then empty solution.
3. Soak lid, inner lid (also scraper spatula and frozen dessert wand if used) in the remaining second half of the sanitizing solution mixture for 2 minutes.
4. Place the empty jug and lid back on blender base and run on manual speed MIX for 10-20secs to remove any excess moisture from the blade area.
5. Wipe the exterior of the lid, jug and base with a soft cloth dampened with the sanitizing solution.
6. Do not rinse after sanitizing. Allow to air dry before storage. Rinse with clean water prior to next use.

Motor base

To clean the motor base, wipe with a soft, damp cloth then dry thoroughly. Wipe any excess food particles from the power cord.

Cleaning agents

Do not use abrasive scouring pads or cleaners on either the motor base or the jug, as they may scratch the surface. Use only warm soapy water with a soft cloth.

Dishwasher

The blender jug and lid can be washed in the dishwasher on a standard wash cycle. Jug can be placed on the bottom shelf, however the lid and inner measuring cap should be washed on the top shelf only.

Stubborn food stains and odors

Strong smelling foods such as garlic, fish and some vegetables such as carrots may leave an odor or stain on the blender jug and lid. To remove, soak blender jug and lid for 5 minutes in warm soapy water. Then wash with a mild detergent and warm water, rinse well and dry thoroughly. Store jug with the lid off.

Storage

Store your blender upright with the blender jug assembled on the motor base, or beside it. Do not place anything on top. To allow air to circulate, keep the lid off.

Dry milling

Please note that milling hard ingredients like spices, nuts, sugar, coffee, grains, etc will cause scratching and clouding to the inside surfaces of the jug.

This is a cosmetic result from milling these kinds of ingredients, and does not affect the performance of the jug.

the Breville Boss^{MC}

Manuel d'instructions - BBL910XL



Breville®



Contents

- 16 Breville vous recommande la sécurité avant tout
- 21 Composants
- 23 Fonctions
- 25 Trucs
- 28 Guide de dépannage
- 29 Entretien & nettoyage

IMPORTANTES MESURES DE SÉCURITÉ

Chez Breville, la sécurité occupe une place de choix. Nous concevons et fabriquons des produits de consommation sans jamais perdre de vue la sécurité de notre précieuse clientèle. De plus, nous vous demandons d'être très vigilant lorsque vous utilisez un appareil électrique et de respecter les mesures de sécurité suivantes.

BREVILLE VOUS RECOMMANDE LA SÉCURITÉ AVANT TOUT



LISEZ TOUTES LES INSTRUCTIONS AVANT USAGE ET CONSERVEZ- LES À TITRE DE RÉFÉRENCE

- Retirez et jetez tout matériel d'emballage et étiquettes avant la première utilisation.
- Pour éviter tout risque de suffocation chez les jeunes enfants, retirez et jetez en lieu sûr l'enveloppe protectrice recouvrant la fiche d'alimentation.
- Cet appareil est conçu pour usage domestique seulement. Ne l'utilisez pas dans un véhicule ou un bateau en mouvement, ni à l'extérieur ou à d'autres fins que celles pour lesquelles il a été conçu. Une mauvaise utilisation peut entraîner des blessures.
- Surveillez attentivement les enfants qui utilisent ou sont à proximité de l'appareil.

- Cet appareil peut être utilisé par des personnes avec facultés physiques, sensorielles ou mentales réduites ou manque d'expérience ou de connaissance du produit, pourvu qu'elles aient été supervisées ou initiées à l'usage sécuritaire de l'appareil et comprennent les risques qui s'ensuivent.
- N'utilisez pas l'appareil sur le bord d'un comptoir ou d'une table. Assurez-vous que la surface de travail est plane, propre et exempte d'eau ou autres substances. Veuillez noter que la vibration causée par le fonctionnement de l'appareil peut le faire bouger.
- N'utilisez pas l'appareil sur (ou près) d'un brûleur à gaz ou électrique ou à un endroit où il pourrait toucher un four ou une surface chaude.
- Ne laissez pas le cordon pendre d'un comptoir ou se nouer.
- Pour éviter tout risque d'électrocution, n'immergez pas le cordon, la fiche ou le socle motorisé dans l'eau (ou tout autre liquide).
- Cet appareil est équipé d'un cordon d'alimentation muni d'un fil de mise à la terre et d'une fiche reliée à la terre. L'appareil doit être relié à la terre en utilisant une prise électrique à trois alvéoles correctement reliée à la terre. Dans le cas d'un court-circuit, la mise à la terre réduit le risque de choc électrique.
- Si la prise électrique est standard à deux alvéoles, il est de votre responsabilité et obligation de la faire remplacer par une prise à trois alvéoles correctement reliée à la terre. Ne tentez d'aucun façon de couper ou enlever la troisième broche du cordon d'alimentation ou utiliser un adaptateur.
- Afin d'empêcher le mélangeur de démarrer de lui-même en raison d'une réinitialisation accidentelle du limiteur de surcharge du moteur, ne reliez pas l'appareil à un dispositif de commutation externe (tel qu'une minuterie) ou ne le branchez pas sur un circuit qui peut mettre régulièrement le mélangeur en marche et l'arrêter.

- Ne faites pas fonctionner l'appareil si le cordon ou la fiche sont endommagés, s'il fonctionne mal, a subi une chute ou est endommagé de quelque façon. Cessez immédiatement l'utilisation et contactez Breville par téléphone ou courriel pour le faire remplacer ou réparer.

PRÉCAUTIONS POUR VOTRE MÉLANGEUR

- Avant la première utilisation, lavez le récipient du mélangeur à l'eau chaude savonneuse.
- Utilisez uniquement le récipient et le couvercle fournis avec ce mélangeur. L'utilisation d'accessoires non fabriqués ou spécifiquement recommandés par Breville peut provoquer un risque d'incendie, de choc électrique ou de blessure.
- Assurez-vous que le mélangeur est correctement assemblé avant de l'utiliser. Le couvercle doit être fermement fixé au récipient avant la mise en fonction pour éviter que le contenu ne s'échappe, soit projeté ou déborde du récipient.
- Si le moteur est mis à rude épreuve sous une lourde charge, ne faites pas fonctionner l'appareil en continu pendant plus de 10 secondes. Laissez le moteur reposer pendant une minute entre chaque utilisation de lourdes charges. Notez qu'aucune des recettes de ce manuel n'est considérée comme une lourde charge.
- Ne laissez pas le mélangeur sans surveillance lorsqu'il est en fonction.
- Le voyant clignotant indique que l'appareil est prêt à fonctionner. Évitez tout contact avec les lames ou les pièces mobiles.
- Gardez les mains, doigts, cheveux et vêtements loin du mélangeur pendant l'utilisation. Éteignez toujours l'appareil et débranchez-le avant de retirer les aliments du récipient.
- Soyez prudent lorsque vous manipulez le récipient, car les lames sont très affûtées. Usez de prudence lorsque vous videz le récipient de son contenu ou lors du nettoyage. Une mauvaise manipulation peut causer des blessures.
- Ne retirez pas le récipient du socle motorisé durant le fonctionnement.

- Le mélangeur est destiné à la préparation d'aliments et boissons et ne doit pas être utilisé à d'autres fins que celles-ci. Ne faites pas fonctionner l'appareil sans ingrédients dans le récipient.
- Ne faites jamais fonctionner le mélangeur avec les lames endommagées ou des ustensiles ou tout autre objet dans le récipient.
- Pour réduire le risque de blessures graves ou de dommages au mélangeur, tenez les mains et les ustensiles hors du récipient durant le mélange. La spatule racloir et le poussoir pour desserts glacés fournis peuvent être utilisés, pourvu que le couvercle principal soit en place.
- Ne mélangez jamais de liquides bouillants. Laissez la température tomber avant de les verser dans le récipient et les mélanger.
- Soyez prudent lorsque vous incorporez du liquide très chaud dans le récipient, car il peut éclaboussé en raison de la vapeur soudaine s'en échappant.
- Lorsque vous mélangez des liquides bouillants, assurez-vous que le bouchon-mesure est en place. Le bouchon protège contre les éclaboussures et est muni d'évents conçus pour évacuer la pression et éviter l'accumulation de vapeur.
- Lorsque vous mélangez des liquides chauds, n'excédez pas la ligne maximale de 1,2 L (40 oz).
- Usez de prudence lorsque vous retirez le couvercle après avoir mélangé des liquides très chauds, car la vapeur engendrée peut faire éclabousser les liquides hors du récipient.
- Ne soumettez pas le récipient à des conditions extrêmes de chaleur ou de froid comme, par exemple, le placer dans l'eau chaude lorsqu'il est froid, et vice versa.
- Éteignez toujours le mélangeur et débranchez-le avant de le déplacer, le nettoyer ou le ranger.

FICHE ASSIST^{MC} DE BREVILLE

Votre appareil Breville est muni d'une fiche exclusive Assist^{MC} munie d'un anneau conçu pour laisser passer un doigt afin de faciliter le débranchement sécuritaire de la prise électrique.

COURT CORDON D'ALIMENTATION

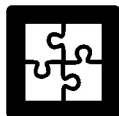
Votre appareil Breville est muni d'un cordon d'alimentation relativement court et très sécuritaire qui réduit le risque de blessures corporelles ou dommages pouvant être causés par le fait de tirer, trébucher ou s'enchevêtrer dans un cordon plus long. Si vous utilisez une rallonge: (1) sa puissance nominale doit être au moins équivalente ou supérieure à la puissance nominale de l'appareil; (2) la corde ne doit pas pendre d'un comptoir ou d'une table où de jeunes enfants pourraient s'y suspendre ou trébucher. (3) la corde doit être munie d'une fiche à trois broches reliée à la terre.

CONSERVEZ CES INSTRUCTIONS

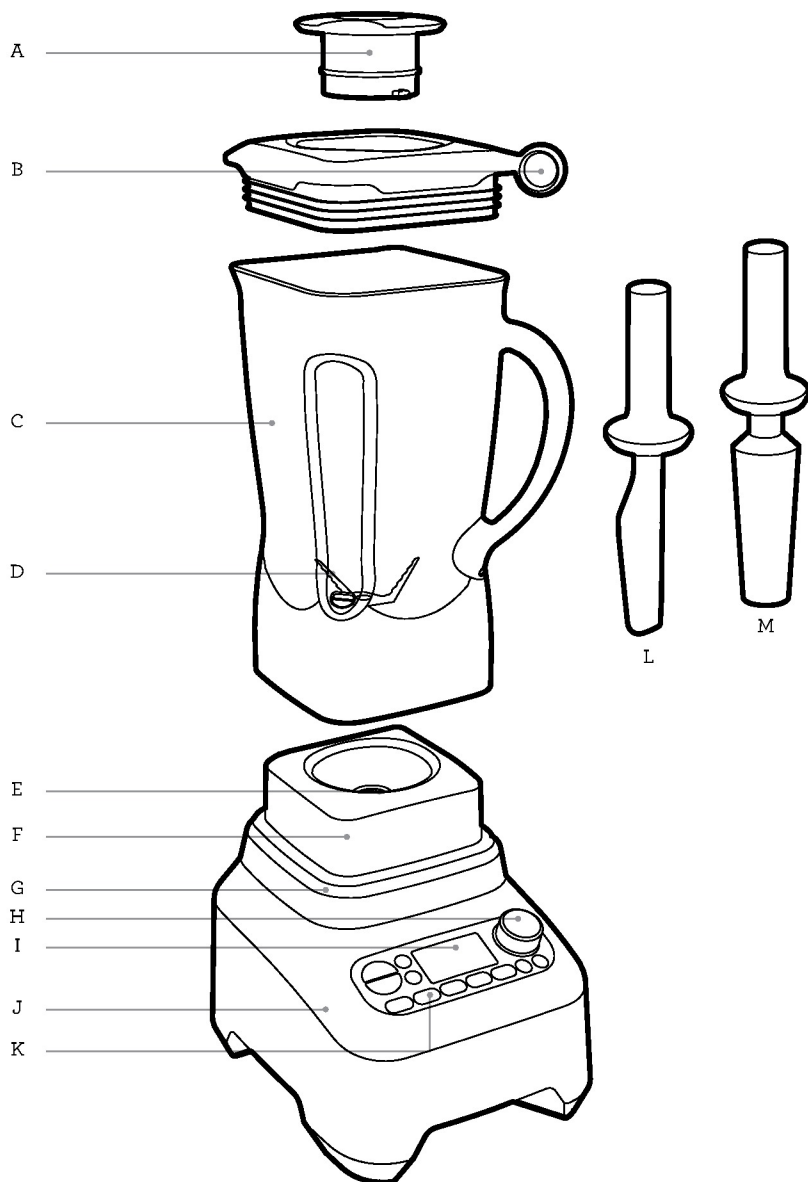
SPÉCIFICATIONS

Consommation d'énergie	120V ~ 60Hz
Puissance	1500W
Dimensions extérieures	460 mm (H) 189 mm (L) 240 mm (P)
Poids net	Environ 6 kg

Ces spécifications peuvent changer sans préavis.



Composants



- A. **Bouchon-mesure**
Se retire pour l'ajout d'ingrédients durant le mélange.
- B. **Couvercle très résistant**
Supporte les mélanges à grande vitesse et est muni d'évents pour évacuer la vapeur et éviter les éclaboussures.
- C. **Récipient de 2 L (68 oz) en Tritan sans BPA**
Résiste aux chocs, aux craquelures et lave-vaisselle.
- D. **Système de bol et lames ProKinetix® très large et robuste**
Muni de 3 lames en acier inoxydable profilées à la base du bol, pour un maximum de puissance, incluant la transformation d'aliments sans liquide. Les larges lames créent le mouvement Kinetix® et éliminent les trappes d'aliments.
- E. **Couplage en métal robuste**
Pour une performance durable et de longue durée lors de mélanges plus épais.
- F. **Moteur robuste de 1500 W**
Puissance à grande vitesse combinée à un couple élevé, pour des résultats exceptionnels.
- G. **Protection contre les surcharges**
Fusible autoréarmable pour protéger le moteur.
- H. **Contrôle de vitesse manuel**
Vaste choix de vitesses, de très lent (remuer) à très rapide (moudre), pour un contrôle précis.
- I. **Minuterie et affichage sur écran ACL**
Compte à rebours pour réglages préprogrammés, et compte progressif pour réglages de sélecteur de vitesse.
- J. **Socle robuste en métal moulé**
- K. **5 programmes préréglés**
Optimisent les capacités du mélangeur, pour glace broyée, smoothie, smoothie vert, mouture et soupe.

ACCESSOIRES

- L. **Spatule racloir**
Conçue pour racler les parois du récipient ou pour faciliter le retrait des ingrédients après le mélange.
- M. **Poussoir pour desserts glacés**
Facilite la préparation de desserts glacés en poussant les aliments directement dans les lames.

COPOLYESTER EASTMAN TRITAN^{MC}

Le récipient de ce mélangeur est fait de copolyester Eastman Tritan^{MC}, polymère durable et sans BPA utilisé dans la fabrication de produits ménagers. Résiste à un usage extrême et à de multiples cycles au lave-vaisselle. Les produits faits de Tritan^{MC} résistent aux chocs et aux craquelures et gardent leur durabilité et leur limpidité après des centaines de cycles dans le lave-vaisselle.

FICHE ASSIST^{MC} DE BREVILLE

Votre produit Breville est équipé d'une fiche unique Assist^{MC} conçue spécialement avec anneau pour retrait facile de la prise murale.



Fonctions



GUIDE DE DÉMARRAGE

ON | OFF (marche | arrêt)

La touche MARCHÉ | ARRÊT alimente l'appareil en mode PRÊT.

READY (mode prêt)

Le mélangeur passera en mode MANUEL par défaut.

FONCTIONS MANUELLES

Sélecteur de vitesse

Il y a 12 réglages de vitesse allant de STIR (remuer) à MILL (moudre).

STIR (remuer) mélange les aliments plus délicats en les agitant lentement et faisant de brèves pauses pour les plier ensemble.

MILL (moudre) est le réglage le plus rapide et est idéal pour moudre les noix, les céréales et les graines.

Le mélangeur est programmé pour fonctionner aux vitesses manuelles durant 6 minutes avant de s'arrêter automatiquement.

PAUSE | PLAY ► (pause | reprise)

Cette fonction fait une pause de vitesse et de minuterie et la maintient jusqu'à 2 minutes. Appuyez à nouveau sur PAUSE | REPRISE pour reprendre le cycle.

Cette fonction s'activera également si le récipient est retiré du socle pendant l'utilisation. Remplacez le récipient et pressez à nouveau sur PAUSE | PLAY pour reprendre le cycle.

Fonction de répétition

Si vous appuyez sur la touche DÉMARRER | ANNULER (Start|Cancel) lorsque vous utilisez le sélecteur de vitesse manuel, ou si la minuterie est terminée, le réglage de la vitesse en cours sera maintenu pendant 2 minutes afin de permettre une répétition rapide du cycle.

En appuyant sur la touche DÉMARRER | ANNULER, le cycle reprendra.

Si vous voulez effacer la vitesse précédente de la mémoire, appuyez et maintenez la touche DÉMARRER | ANNULER pendant 2 secondes.

Mode Veille

Après 2 minutes d'inactivité, l'écran ACL s'éteindra et la touche MARCHÉ | ARRÊT clignotera en rouge. Après 5 minutes d'inactivité, l'appareil s'éteindra complètement. Appuyez sur la touche MARCHÉ | ARRÊT pour réactiver.

Compte progressif

Si la minuterie n'a pas été réglée, le compte progressif se fera en secondes durant le mélange. De cette façon, le mélangeur s'arrêtera après 6 minutes, mais vous pouvez également l'arrêter manuellement.

Compte à rebours

L'autre façon d'utiliser le compte progressif est de régler la minuterie avant de commencer à mélanger.

PROGRAMMES PRÉRÉGLÉS

Si le mélangeur est en cours d'exécution et que vous appuyez sur la touche d'un programme différent, il passera à ce programme sans s'arrêter.

PULSE | ICE CRUSH (impulsion | glace broyée)

Optimisé pour broyer la glace, cette fonction dispose d'un capteur intelligent qui arrête le moteur lorsque la glace est prête.

SMOOTHIE

Fonction optimisée pour combiner et aérer les ingrédients liquides et congelés ensemble. La fonction SMOOTHIE dispose d'une technique exclusive de traitement qui mélange les ingrédients denses à basse vitesse, puis augmente la vitesse lorsque le mélange épaissit. Cela se produira à plusieurs reprises durant le mélange. Ce programme permet ainsi de faire circuler les ingrédients pour une aération maximale et une texture crémeuse.

GREEN SMOOTHIE (smoothie vert)

Fonction optimisée pour permettre de décomposer les ingrédients durs comme les fruits, les légumes-feuilles et les graines et permet de les mélanger à d'autres ingrédients plus tendres et liquides.

FROZEN DESSERT (dessert glacé)

Fonction optimisée pour décomposer et combiner rapidement les ingrédients congelés. Pour de meilleurs résultats, utilisez le poussoir pour desserts glacés. Utilisez le poussoir pour de meilleurs résultats.

SOUP (SOUPE)

Ce programme préréglé s'active pendant 6 minutes pour mélanger et réchauffer les ingrédients de la soupe. Le mélange se fait d'abord à basse vitesse avant d'atteindre une vitesse élevée et se termine par quelques impulsions qui libéreront les bulles de vapeur qui se seront formées dans la soupe.



AVERTISSEMENT

Ne jamais mélanger de liquides bouillants. Laissez la température tomber avant de les mettre dans le récipient et les mélanger.

AUTONETTOYAGE

Utilisez ce réglage pour nettoyer les parois du récipient et les lames. Versez 2 tasses (500 ml) d'eau chaude savonneuse dans le récipient, puis appuyez sur la touche AUTO NET. Pour les ingrédients collants, denses ou difficiles à nettoyer, ajoutez ½ c. à thé de détergent à vaisselle liquide pour une puissance de nettoyage supplémentaire. Pour de meilleurs résultats, exécutez le programme d'autonettoyage immédiatement après usage.



AVERTISSEMENT

Le fait de soulever le récipient durant l'utilisation endommagera le couplage. Ne le soulevez que quand le moteur sera arrêté.



Trucs

- Si le volume (pendant le mélange) est sous le seuil maximal, vous pouvez retirer le bouchon-mesure et ajouter de l'huile ou du liquide par l'ouverture pendant que le mélangeur fonctionne.
- Faites fonctionner le mélangeur uniquement pour la durée requise; ne mélangez pas trop les ingrédients.
- Utilisez la touche **IMPULSION** | **GLACE BROYÉE** lorsque les aliments sont trop denses ou grossiers pour circuler dans le récipient.
- La spatule racloir ou le poussoir pour desserts glacés peuvent être utilisés en cours de préparation en enlevant le bouchon-mesure. Assurez-vous toujours que le couvercle principal reste fermement en place.
- Ne dépassez pas la ligne maximale lors de l'ajout d'aliments ou de liquides dans le mélangeur.
- Les ingrédients peuvent adhérer aux parois du récipient. Pour acheminer les aliments vers les lames, avec le couvercle en place mais sans le bouchon-mesure, utilisez la spatule racloir fournie pour racler les parois du récipient et continuez à mélanger.
- Si de l'humidité ou du liquide apparaît sur le dessus du socle motorisé en cours de préparation, mettez le moteur hors tension et débranchez l'appareil. Retirez le récipient et essuyez le socle motorisé avec un chiffon sec ou un essuie-tout.
- Pour arrêter l'appareil à tout moment ou au cours d'un des programmes, appuyez sur la touche **DÉMARRER** | **ANNULER**.
- Une vitesse ou une fonction peut être sélectionnée à tout moment, même si le mélangeur fonctionne. Appuyez sur la nouvelle vitesse ou le nouveau programme et le mélangeur passera immédiatement au nouveau réglage.
- La quantité maximale de glaçons pouvant être traités dans le mélangeur est 250 g (environ 1 moule à glaçons standard).
- Les mélanges plus épais seront plus facilement transformés en purée si le récipient est à $\frac{1}{4}$ ou $\frac{1}{2}$ plein.
- Lorsque le mélangeur a fonctionné pendant 6 minutes en mode manuel, il s'éteint automatiquement. Il s'agit d'un dispositif de sécurité pour protéger le moteur.
- N'utilisez pas d'ustensiles en métal qui pourraient endommager les lames ou le récipient.
- Pour éviter d'endommager le couplage, attendez que le moteur soit arrêté avant de soulever le récipient.



Tableau de mélange

ALIMENTS	PRÉPARATION & USAGE	QUANTITÉ	FONCTIONS	DURÉE
Céréales & grains	Moudre et mélanger à la farine. Utiliser pour pains, pâte à pizza, gâteaux, muffins et pâte à base de farine.	250-500 g 1¼-2½ tasses	MILL (moudre)	30-60 secs
Haricots secs, grains & maïs (blé, pois chiches, grains de maïs)	Moudre et mélanger à la farine. Utiliser pour pains, gâteaux, muffins et crêpes.	250-500 g 1¼-2½ tasses	MILL (moudre)	1 min 30 sec
Épices	Pour moudre les épices. Utiliser des épices entières, sauf les bâtons de cannelle qui devront être brisés en deux. Garder dans des récipients hermétiques.	55-115 g ½-1 tasse 8-16 bâtons de cannelle	MILL (moudre)	1 min 30 sec
Noix fraîches	Pour préparer la pâte d'amande. Utiliser dans les gâteaux, biscuits et muffins.	150-300 g 1-2 tasses	MILL (moudre)	20-30 secs
Noix grillées	Pour préparer le beurre et la tartinade d'amande.	300-450 g 2-3 tasses	MILL (moudre) with scraper	1 minute
Sucre granulé	Moudre pour préparer le sucre à glacer ou sucre en poudre.	200 g 1 tasse ou 7 oz	MILL (moudre)	15 secondes
Légumes crus	Peler et couper en cubes de 2 cm. Hacher finement. Utiliser dans les farces, les garnitures, la sauce bolognaise, les ragoûts et les plats en sauce.	225 g 8oz	CHOP (hacher)	5-10 secs
Biscuits Graham	Briser les biscuits en deux. Mélanger pour former une chapelure. Utiliser pour la croûte de gâteau au fromage.	225 g 8oz	PULSE ICE CRUSH (impulsion glace broyée)	6-10 impulsions

MOUTURE À SEC

Veillez noter que moudre des ingrédients durs comme les épices, les noix, le sucre, le café, les grains, etc. égratignera et causera de l'opacité sur les parois internes du récipient.

Ce résultat découlant de la mouture de tels ingrédients est purement esthétique et n'affectera aucunement la performance du récipient.

ALIMENTS	PRÉPARATION & USAGE	QUANTITÉ	FONCTIONS	DURÉE
Chapelure de pain	Retirer la croûte. Couper le pain en cubes de 2½ cm (1 po). Utiliser la chapelure pour paner, farcir ou dans les boulettes ou galettes de viande.	120 g (jusqu'à 3 tranches)	CHOP (hacher)	20 - 30 secondes
Mayonnaise	Mélanger le jaune d'œuf, la moutarde et le vinaigre ou jus de citron. Verser l'huile en filet par le bouchon-mesure. Utiliser pour les vinaigrettes.	Jusqu'à 4 jaunes d'œufs et 2 tasses d'huile.	MIX (mélanger)	1 min 30 sec
Fromages durs (comme Parmesan et Pecorino)	Couper en cubes de 3 cm. Utiliser dans les sauces crémeuses et les pâtes.	130 g 4½ oz	CHOP (hacher)	15-20 secondes
Crème	Fouetter la crème en pics fermes. Si désiré, ajouter le sucre ou la vanille avant de mélanger.	300 - 600 ml 1¼ - 2½ tasses	MILL (moudre)	10 secondes

Ce tableau est à titre indicatif seulement.



Guide de dépannage

Le moteur ne démarre pas ou la lame ne tourne pas

- Vérifiez si le récipient et le couvercle sont bien en place.
 - Vérifiez si la touche **MARCHE | ARRÊT** et la touche de fonction sélectionnée s'allument.
 - Vérifiez si la fiche d'alimentation est bien insérée dans la prise murale.
-

Les aliments sont inégalement hachés

- Cela peut se produire lorsque trop d'aliments sont mélangés en même temps. Mélangez une plus petite quantité et procédez par portions, si nécessaire.
 - Les ingrédients peuvent être trop volumineux. Coupez-les en plus petits morceaux. Pour de meilleurs résultats, le format ne devrait pas excéder 2 cm.
-

Les aliments sont hachés trop fin ou aqueux

- Mélangez un peu moins longtemps. Pour un contrôle accru, utilisez la fonction **IMPULSION | GLACE BROYÉE**.
-

Les aliments collent à la lame et au récipient

- Le mélange est peut-être trop épais. Ajoutez un peu de liquide et/ou utilisez une vitesse plus basse.
-

Le mélangeur est surchargé

- Ce mélangeur possède une fonction de protection du moteur qui le protège contre les surchauffes et/ou la surintensité. Lorsque cette protection est activée, le message **OVERLOAD PROTECTION** (protection contre les surcharges) clignotera sur l'écran **ACL** et le mélangeur ne pourra fonctionner.
 - Si ce message apparaît, éteignez le mélangeur en pressant sur la touche **MARCHE | ARRÊT** et débranchez-le. Attendez quelques minutes, puis rebranchez et mettez le mélangeur en marche.
 - Si le message clignote toujours, répétez l'opération et laissez le mélangeur reposer au moins 20-30 minutes. Une fois le message disparu, l'appareil sera prêt à être utilisé à nouveau.
 - Nous vous recommandons de mélanger par portions ou couper les ingrédients en plus petits morceaux.
-



Entretien & nettoyage

Nettoyage du récipient et du couvercle

Dans le but de garder votre mélangeur propre et d'éviter que les aliments ne sèchent sur les lames, le récipient ou le couvercle, suivez la procédure ci-dessous dès que possible après utilisation:

- Rincez le récipient et le couvercle pour enlever les restes d'ingrédients.
- Ajoutez 2 tasses (500 ml) d'eau tiède, puis appuyez sur la touche AUTO NET. Si les ingrédients épais ou collants nécessitent un nettoyage supplémentaire, ajoutez quelques gouttes de détergent à vaisselle liquide.
- Rincez le récipient et le couvercle ou lavez-les séparément à l'eau chaude savonneuse avec un chiffon souple ou un goupillon.

Désinfection

La solution désinfectante recommandée est la suivante: 1,5 c. à thé (7,5 ml) de javellisant domestique dans 8 tasses / 2 L d'eau propre et froide. Mélangez le tout selon les instructions indiquées sur le contenant de javellisant. Pour désinfecter, suivez les étapes ci-dessous:

1. Après avoir effectué le cycle d'autonettoyage selon les instructions ci-dessus, versez la moitié (4 tasses / 1 L) de la solution désinfectante dans le récipient. Fixez le couvercle et le bouchon-mesure et appuyez sur AUTO NET pour exécuter un cycle de désinfection.
2. Laissez reposer 1 minute, puis videz la solution.
3. Faites tremper le couvercle, le bouchon-mesure (la spatule racloir et le poussoir pour desserts glacés, si utilisés) dans l'autre moitié de la solution désinfectante durant 2 minutes.

4. Remplacez le récipient vide et le couvercle sur le socle du mélangeur et faites fonctionner à la vitesse manuelle MIX durant 10-20 secondes pour enlever tout excès d'humidité sur les lames.
5. Essuyez l'extérieur du couvercle, du récipient et du socle avec un chiffon doux imbibé de la solution désinfectante.
6. Ne pas rincer après la désinfection. Laissez l'appareil à l'air libre avant de le ranger. Vous le rincerez à l'eau propre avant la prochaine utilisation.

Socle motorisé

Pour nettoyer le socle motorisé, essuyez-le avec un chiffon doux et humide, puis séchez soigneusement. Essuyez les particules d'aliments laissées sur le cordon d'alimentation.

Produits de nettoyage

Do not use abrasive scouring pads or cleaners on either the motor base or the jug, as they may scratch the surface. Use only warm soapy water with a soft cloth.

Lave-vaisselle

Le récipient et le couvercle peuvent être lavés au cycle standard du lave-vaisselle. Le récipient peut être placé sur le plateau inférieur, cependant le couvercle et le bouchon-mesure doivent être placés sur le plateau supérieur seulement.

Taches tenaces et odeurs

Les aliments à forte odeur comme l'ail, le poisson et certains légumes comme les carottes peuvent laisser une odeur ou des taches sur le récipient et le couvercle. Pour les éliminer, faites tremper le récipient et le couvercle pendant 5 minutes dans l'eau chaude savonneuse, puis lavez-les à l'eau tiède et un détergent doux. Bien rincer et sécher à fond. Rangez le récipient sans le couvercle.

Rangement

Rangez votre mélangeur à la verticale avec le récipient assemblé sur le socle motorisé ou à côté. Ne placez rien sur le dessus. Pour laisser l'air circuler, retirez le couvercle.

Mouture à sec

Veillez noter que moudre des ingrédients durs comme les épices, les noix, le sucre, le café, les grains, etc. égratignera et causera de l'opacité sur les parois internes du récipient.

Ce résultat découlant de la mouture de tels ingrédients est purement esthétique et n'affectera aucunement la performance du récipient.

Breville Customer Service Centre

USA

Mail: Breville USA
19400 S. Western Ave
Torrance CA
90501-1119

Phone: 1-866-273-8455
1-866-BREVILLE

Email: askus@brevilleusa.com

Web: www.brevilleusa.com

Canada

Mail: Breville Canada
3595 boulevard Côte-Vertu,
Saint-Laurent, Québec
H4R 1R2

Phone: 1-855-683-3535

Email: askus@breville.ca

Web: www.breville.ca

Breville
Thought for food

Breville is a registered trademark of Breville Pty. Ltd. A.B.N. 98 000 092 928.
Copyright Breville Pty. Ltd. 2015.

Due to continued product improvement, the products illustrated/photographed
in this booklet may vary slightly from the actual product.